

ORDERING REFERENCE GAS REGULATOR

MODEL:P32 P36 P37 P38

www.bellofram-usa.com



MARSH BELLOFRAM

Distributed By **FLW** Inc,

(800) 576 - 6308



NATURAL GAS & PROPANE REGULATORS

P32 Superior regulation and excellent stability make the P32 Regulator ideal for lower flow applications. Square head adjustment screw allows for easy in-field calibration. The P32 is available with handwheel adjustment, output pressure gauge and/or mounting bracket as options.

FEATURES	BENEFITS
<ul style="list-style-type: none"> 60-mesh screen UL listed (Standard P32) NACE construction available 	<ul style="list-style-type: none"> Harmful particles blocked

P36 This reliable precision preset regulator is ordered with the exact pressure regulation required. Ideal for areas requiring tamper resistant components or where incidental re-adjustment is a concern.

FEATURES	BENEFITS
<ul style="list-style-type: none"> 60-mesh screen Dripwell option UL listed (Standard P36) NACE construction available 	<ul style="list-style-type: none"> Harmful particles blocked Release undesirable moisture

P37 The P37 contains many of the same characteristics as the P38, but at a reduced price. At 110 SCFM (16.5 Mbtu/hr), the P37 offers flow rates comparable to current market suppliers. The use of a relief valve is recommended for this product in accordance with NFPA 58.

FEATURES	BENEFITS
<ul style="list-style-type: none"> Balanced pintle design Bubble tight/non-relieving 16.5 Mbtu/hr. (110 scfm) UL listed Bellofram Rolling Diaphragm 	<ul style="list-style-type: none"> High flow capacity Enclosed space use High volume applications

P38 The P38 uses a patented balanced pintle design which eliminates unsteady changes in outlet pressure due to inlet pressure fluctuations. The P38 is a spring opposed, diaphragm - operated, non-relieving regulator. The use of a relief valve is recommended for this product in accordance with NFPA 58.

FEATURES	BENEFITS
<ul style="list-style-type: none"> Balanced pintle design Bubble tight/non-relieving 27 Mbtu/hr (260 scfm) UL listed Bellofram Rolling Diaphragm 	<ul style="list-style-type: none"> Exceptional flow capacity Enclosed space use High volume applications Minimal effect on output pressure from variation of supply pressure

APPLICATIONS

- Pneumatic Controllers
- Valve Positioners
- Actuation
- Fuel Gas
- Compressed Air

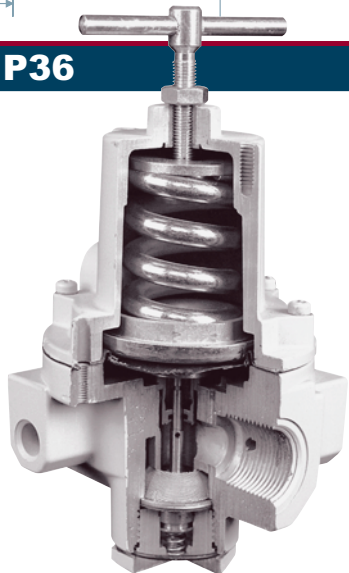
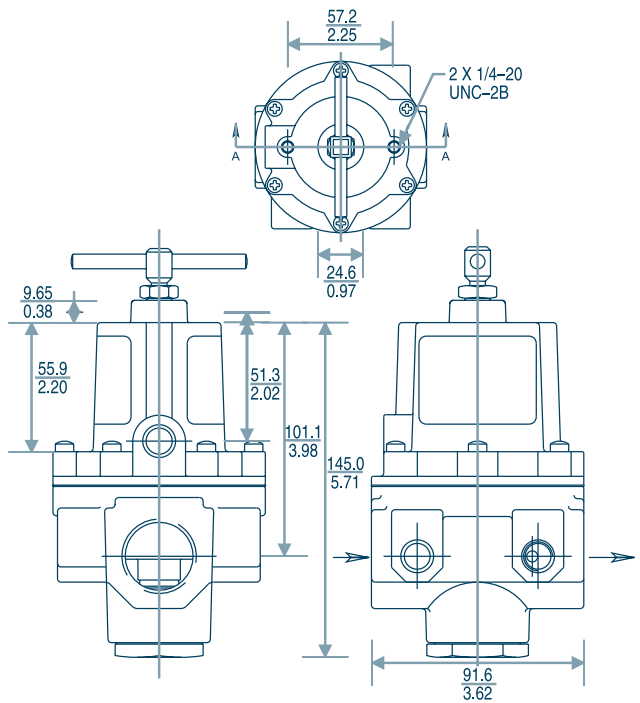
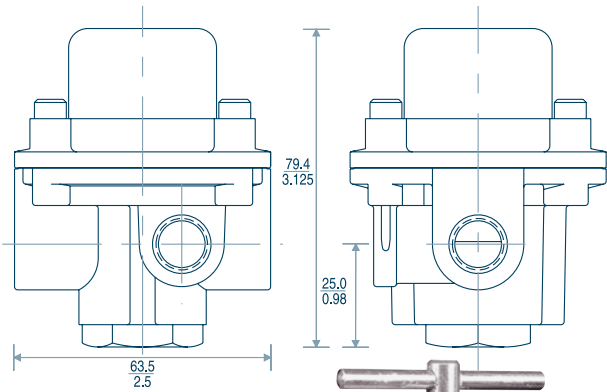
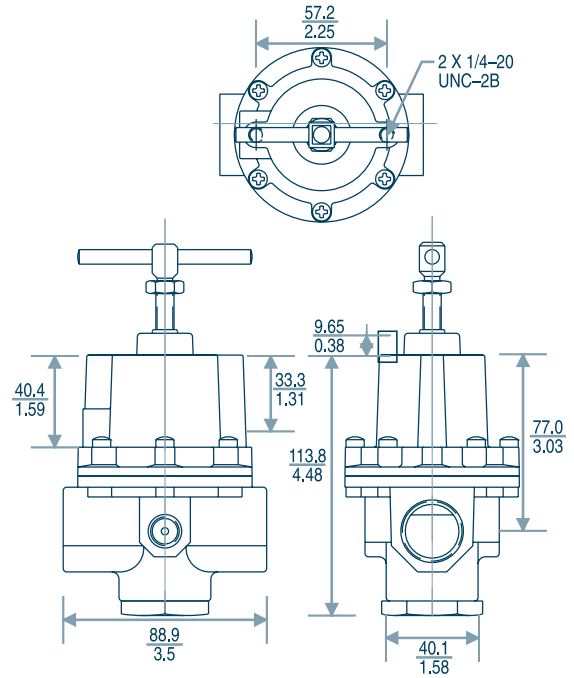
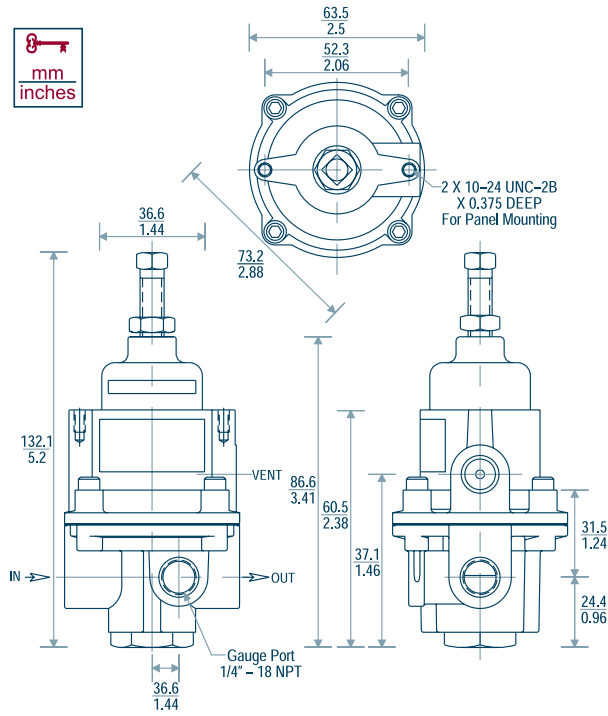
SPECIFICATIONS

	P32	P36	P37	P38
Sensitivity	1" WC	1" WC	1" WC	½" WC
Max. Inlet Pressure	250 PSIG 17 BAR	250 PSIG 17 BAR	400 PSIG 28 BAR	400 PSIG 28 BAR
Port Size	¼" NPT	¼" NPT	½", ¾" NPT	¾", ½", ¼", 1" NPT
Outlet Ranges	0-10, 0-30, 0-60, 0-120 PSIG 0-0.7, 0-2, 0-4, 0-8 BAR	0-20, 20-40, 40-60 PSIG 0-1.4, 1.4-2.8, 2.8-4 BAR	0-10, 0-30, 0-60, 0-125 PSIG 0-0.7, 0-2, 0-4, 0-8 BAR	0-30, 0-60, 0-125 PSIG 0-2, 0-4, 0-8 BAR
Adjustment	adjustment screw	none	T-Bar	T-Bar
Materials of Construction	Aluminum, Brass, plated steel, Buna-N	Aluminum, Brass, plated steel, Buna-N	Zinc, Aluminum, Plated Steel, Buna-N, Brass	Zinc, Aluminum, Plated Steel, Buna-N, Brass
Diaphragm Material	Nitrile Elastomer with Polyester Fabric	Nitrile Elastomer with Polyester Fabric	Nitrile Elastomer with Polyester Fabric	Nitrile Elastomer with Polyester Fabric
Approximate Weight	0.85 lbs, 0.38 kg	0.70 lbs, 0.32 kg	1.4 lbs, 0.63 kg	5.0 lbs, 2.25 kg



P32, P36, P37 & P38 DIMENSIONS

mm
inches



THE BELGAS P38 HAS A PATENTED BALANCED PINTLE DESIGN.