

# BelGAS™

A DIVISION OF MARSH BELLOFRAM



**P38**



**P37**



**P32**

**P36**

BelGAS Natural Gas & Propane Regulators

# P32 P36 P37 P38 Natural Gas & Propane Regulators

**P32** Superior regulation and excellent stability make the P32 Regulator ideal for lower flow applications. Square head adjustment screw allows for easy in-field calibration. The P32 is available with handwheel adjustment, output pressure gauge and/or mounting bracket as options.

## FEATURES

## BENEFITS

- 60-mesh screen
- UL listed
- Harmful particles blocked

**P36** This reliable precision preset regulator is ordered with the exact pressure regulation required. Ideal for areas requiring tamper resistant components or where incidental re-adjustment is a concern.

## FEATURES

## BENEFITS

- 60-mesh screen
- Dripwell option
- UL listed
- Harmful particles blocked
- Release undesired moisture

**P37** The P37 contains many of the same characteristics as the P38, but at a reduced price. At 110 SCFM (16.5 Mbtu/hr), the P37 offers flow rates comparable to current market suppliers. The use of a relief valve is recommended for this product in accordance with NFPA 58.

## FEATURES

## BENEFITS

- Balanced pintle design
- Bubble tight/non-relieving
- 16.5 Mbtu/hr. (110 scfm)
- UL listed
- Bellofram Rolling Diaphragm
- High flow capacity
- Enclosed space use
- High volume applications

**P38** The P38 uses a patented balanced pintle design which eliminates unsteady changes in outlet pressure due to inlet pressure fluctuations. The P38 is a spring opposed, diaphragm - operated, non-relieving regulator. The use of a relief valve is recommended for this product in accordance with NFPA58.

## FEATURES

## BENEFITS

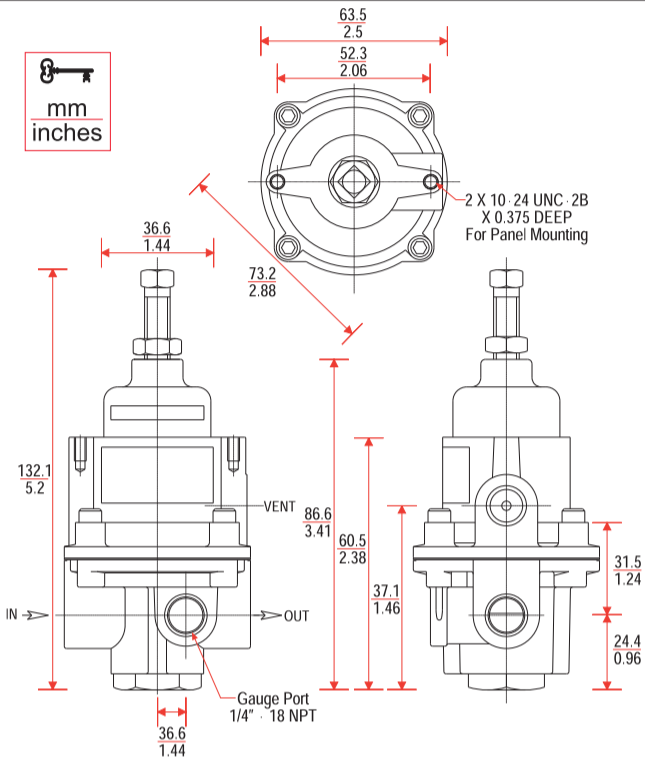
- Balanced pintle design
- Bubble tight/non-relieving
- 27 Mbtu/hr (260 scfm)
- UL listed
- Bellofram Rolling Diaphragm
- Exceptional flow capacity
- High volume applications
- Minimal effect on output pressure from variation on supply pressure



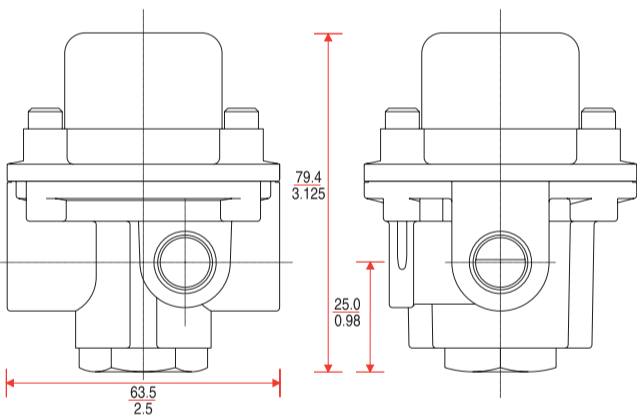
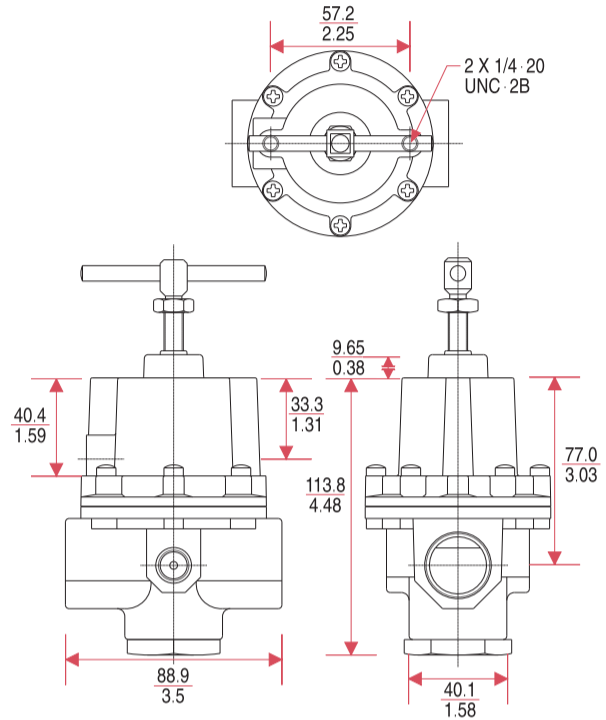
	P32	P36	P37	P38
<b>Sensitivity</b>	1" WC	1" WC	1" WC	½" WC
<b>Max. Inlet Pressure</b>	250 psig 17 BAR	250 psig 17 BAR	400 psig 28 BAR	400 psig 28 BAR
<b>Port Size</b>	½" NPT	½" NPT	½", ¾" NPT	¾", 1", 1½", 2" NPT
<b>Outlet Ranges</b>	0-10, 0-30, 0-60, 0-120 psig 0-0.7, 0-2, 0-4, 0-8 BAR	0-20, 20-40, 40-60 psig 0-1.4, 1.4-2.8, 2.8-4 BAR	0-10, 0-30, 0-60, 0-125 psig 0-0.7, 0-2, 0-4, 0-8 BAR	0-30, 0-60, 0-125 psig 0-2, 0-4, 0-8 BAR
<b>Adjustment</b>	adjustment screw	none	T-Bar	T-Bar
<b>Materials of Construction</b>	Aluminum, Brass Plated Steel, Buna-N	Aluminum, Brass Plated Steel, Buna-N	Zinc, Aluminum Plated Steel, Buna-N, Brass	Zinc, Aluminum Plated Steel, Buna-N, Brass
<b>Diaphragm Material</b>	Nitrile Elastomer with Dacron Fabric	Nitrile Elastomer with Dacron Fabric	Nitrile Elastomer with Dacron Fabric	Nitrile Elastomer with Dacron Fabric



## P 3 2

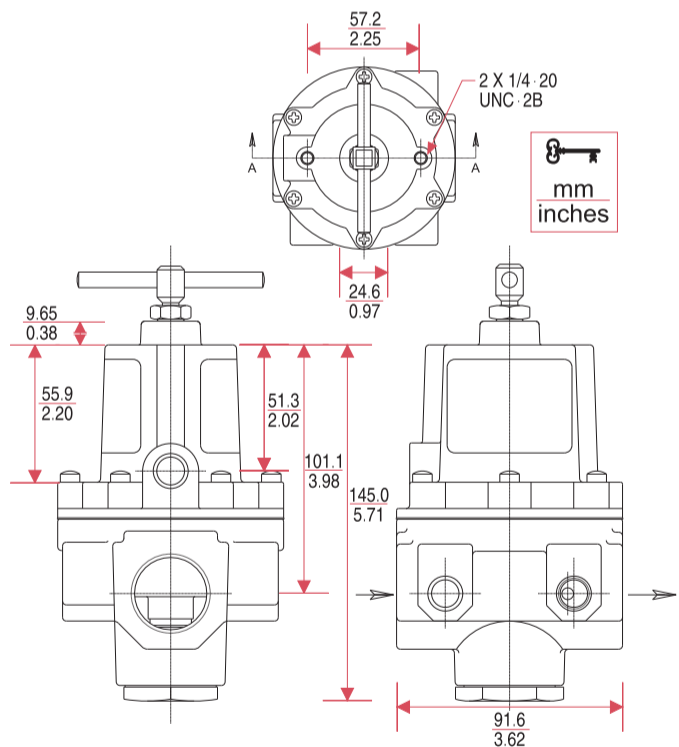


## P 3 7



## P 3 6

**IMPORTANT NOTICE:** Our recommendations, if any, for the use of this product are based on tests believed to be reliable. The greatest care is exercised in the selection of our raw materials and in our manufacturing, no guarantee or warranty, express or implied is made as to such use or effects incidental to such use, handling or possession or the results to be obtained, whether in accordance with the directions or claimed so to be. The manufacturer expressly disclaims responsibility therefor. Furthermore, nothing contained herein shall be construed as a recommendation to use any product in conflict with existing laws and/or patents covering any material use.



## P 3 8

**BelGAS™**  
A DIVISION OF MARSH BELLOFRAM

**USA**  
State Route 2, Box 305  
Newell, WV 26050  
304-387-1200  
FAX 304-387-1212  
info@marshbellofram.com

**Europe**  
9 Castle Park, Queens Drive  
Nottingham NG2 1AH, UK  
+44 (0) 115 993 3300  
FAX +44 (0) 115 993 3301  
bellofram@aol.com

www.bellofram-usa.com

**MARSH BELLOFRAM**  
Distributed By **FLW Inc.**

(800) 576 - 6308